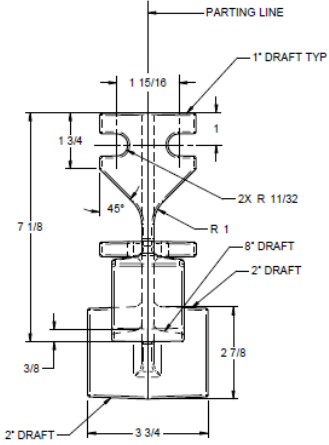
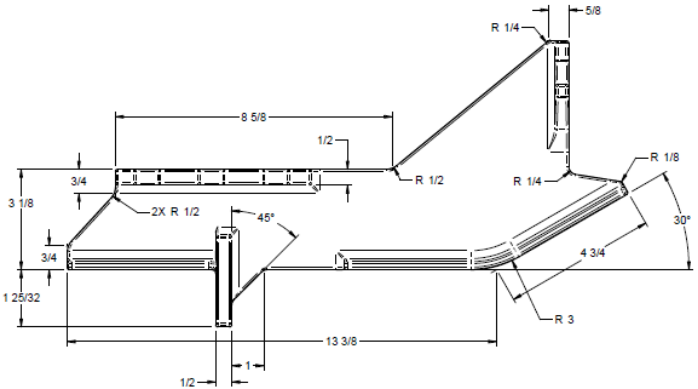
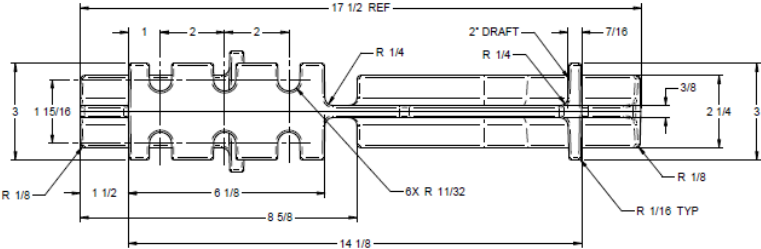
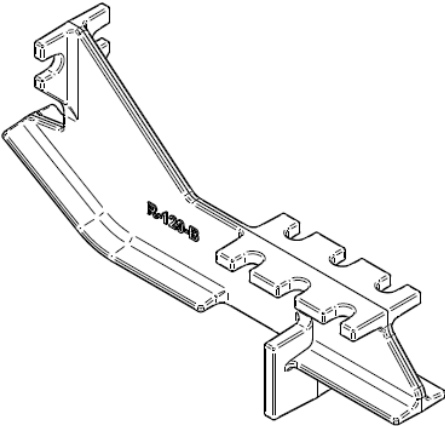
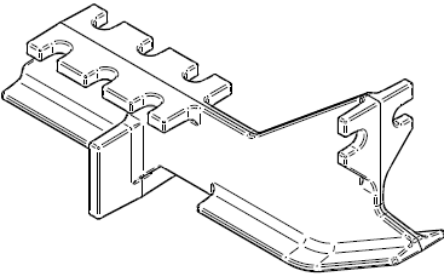




# R-120-B



VOLUME = 43.76 CUBIC INCHES  
APPROX WEIGHT = 10.5 LBS