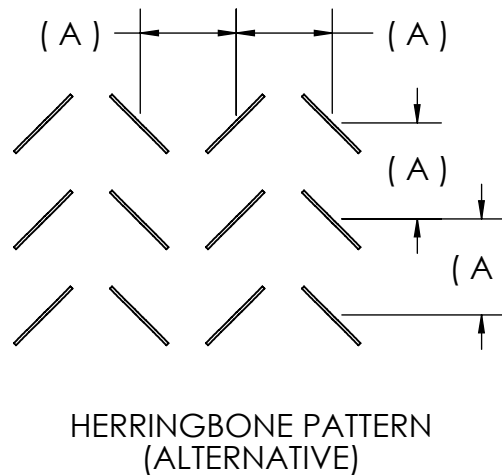
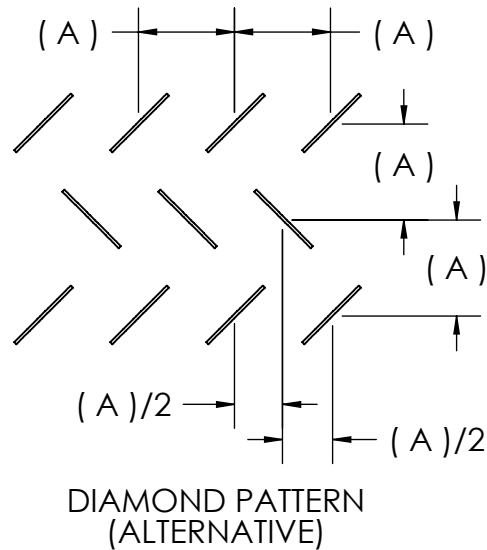
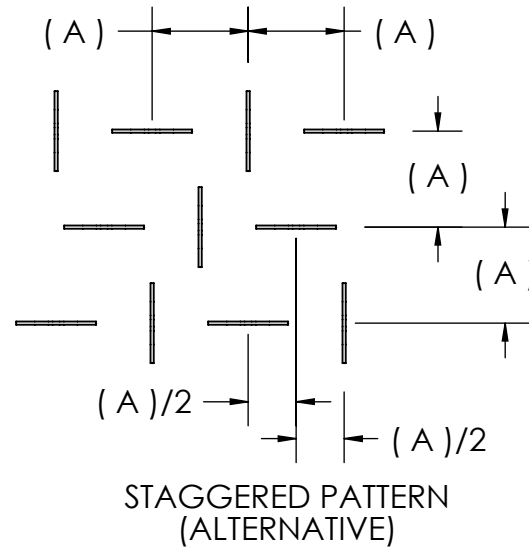
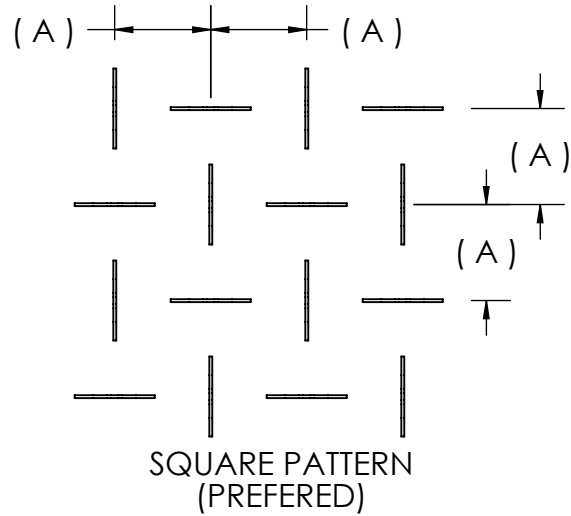




ANCHOR DIMENSION TABLE

A=	B=	C=	D=	E=	F=	G=	H=	I=	J=	K=



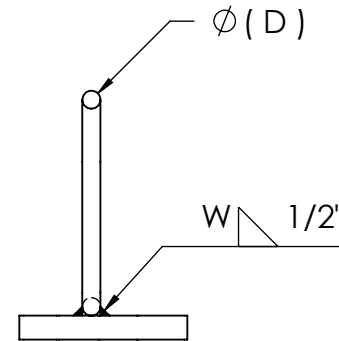
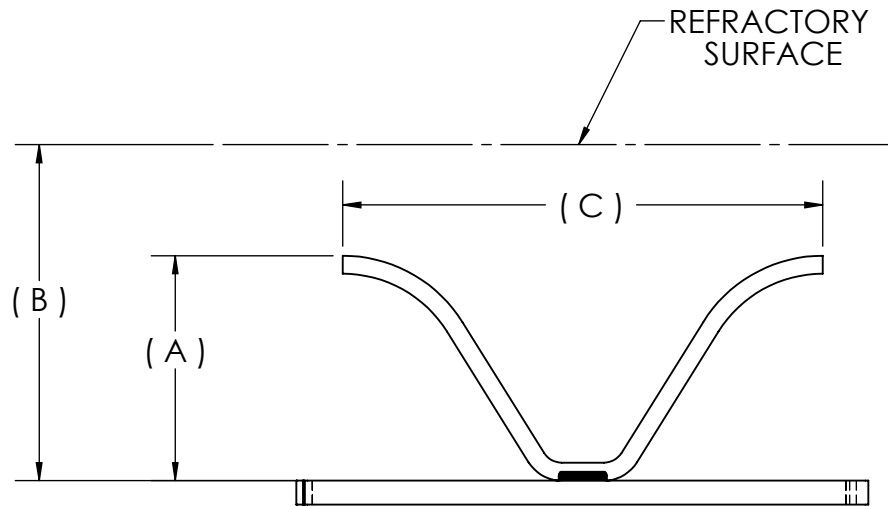
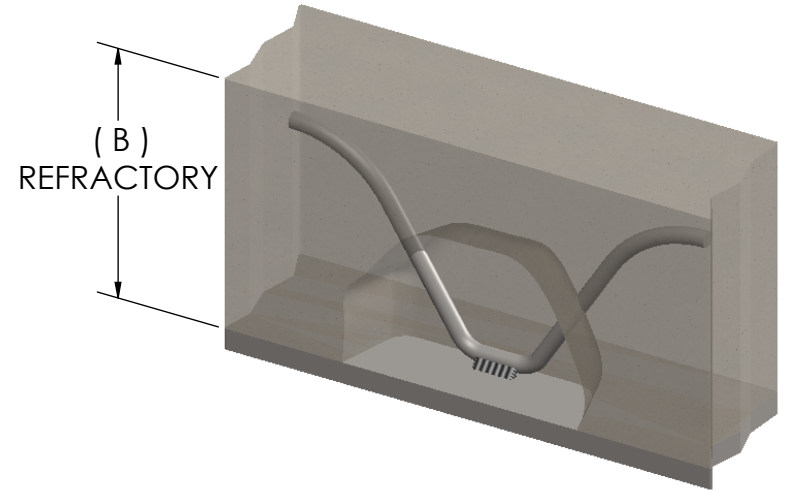
NOTE: SEE END USER SPECIFICATION FOR WELD PATTERN AND DETAILS.

VEE ANCHOR
SPACING



ANCHOR DIMENSION TABLE

A=	B=	C=	D=	E=	F=	G=	H=	I=	J=	K=



NOTE: SEE END USER SPECIFICATION FOR WELD PATTERN AND DETAILS.

VEE ANCHOR
WELD DETAIL

www.hanlock.com