

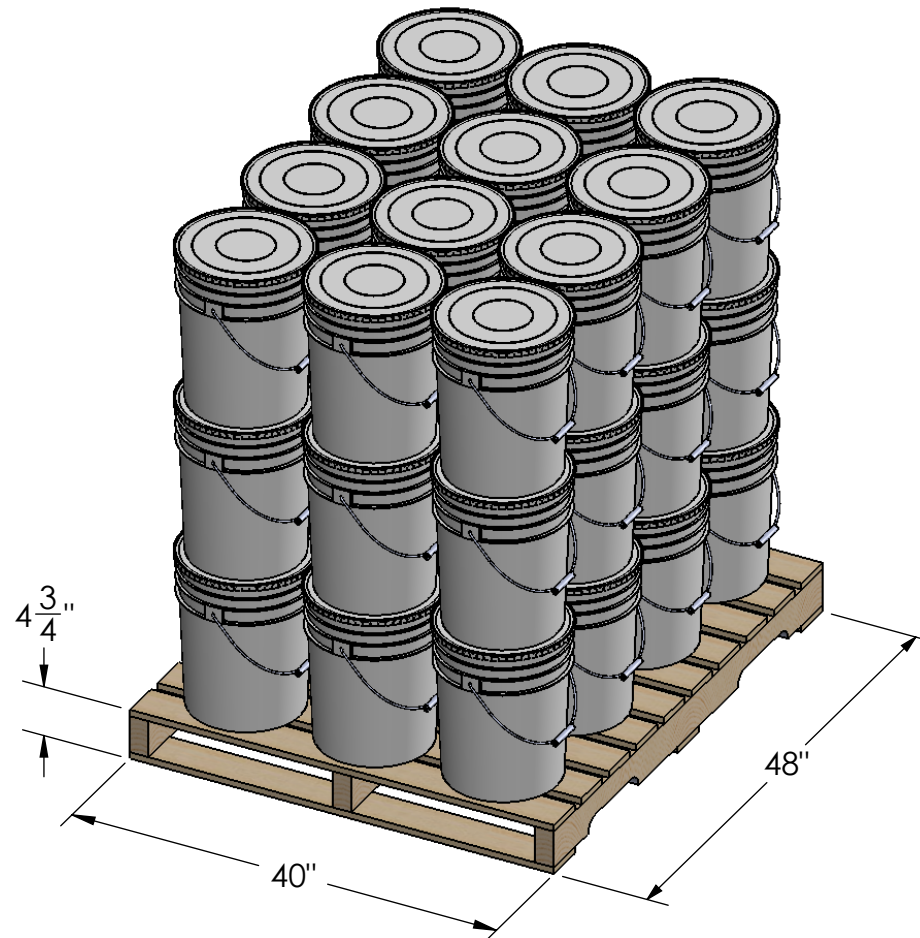
REV 0  
12/16/13

Tulsa: 6802 S. 65th West Ave. Tulsa, OK 74131 • Mail PO Box 371 Tulsa, OK 74101  
Phone +1 918.446.1450 • Toll-Free +1 800.247.8690 • Fax +1 918.446.8143

Houston: 6398 Mayfair, Houston TX 77087 • Phone +1 713.649.6923 • Fax +1 713.649.5743



HANLOCK-CAUSEWAY  
COMPANY



FULLY LOADED WITH 36  
5 GALLON BUCKETS  
BAND AND SHRINK WRAP

BANDING FOR EXPORT  
BANDING FOR DOMESTIC

PLASTIC PALLETS  
MAY BE USED

EXPORT PALLETS TO BE  
ISPM-15 COMPLIANT

HSP-TYPE-P

[www.hanlock.com](http://www.hanlock.com)