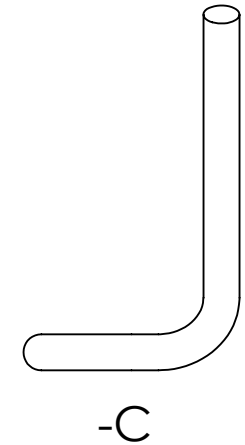
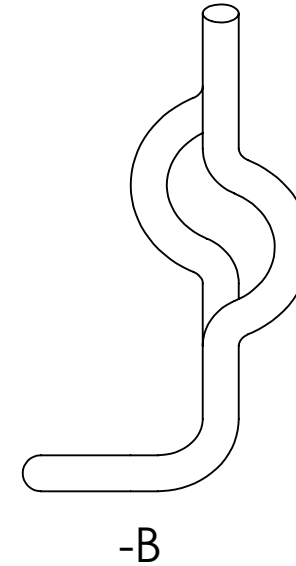
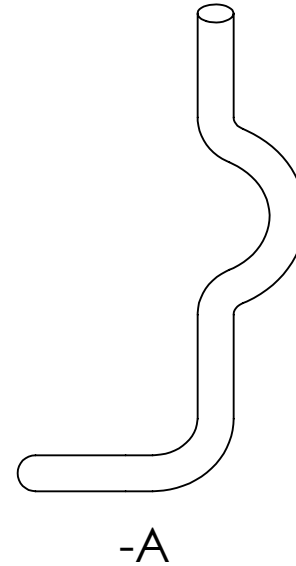
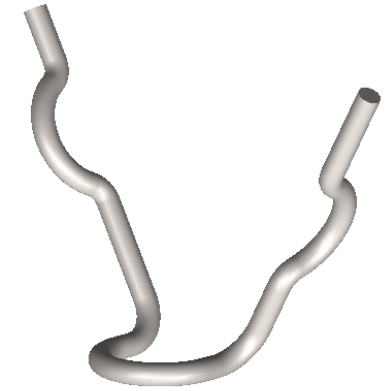
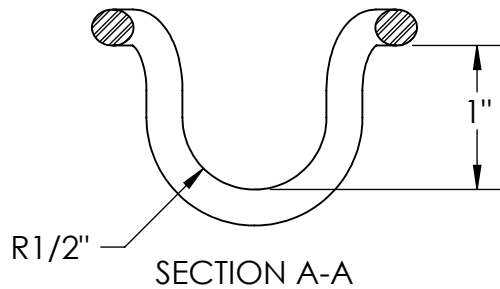
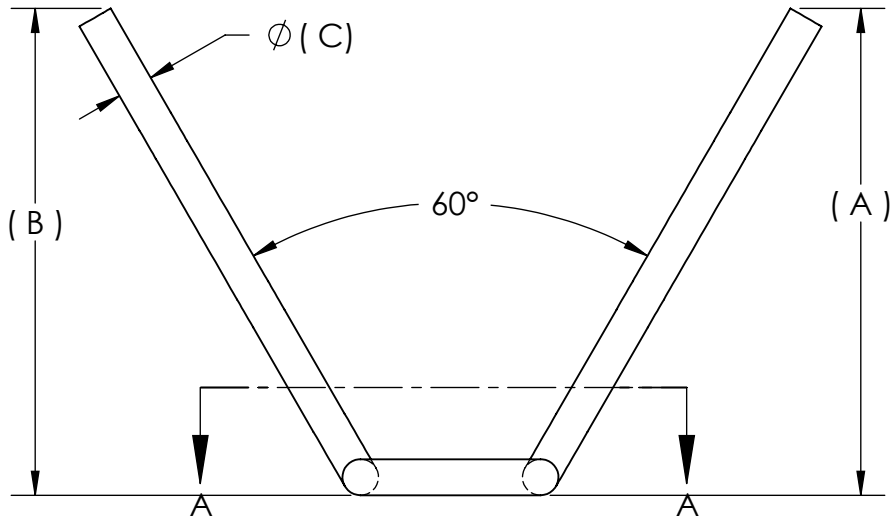




### ANCHOR DIMENSION TABLE

A=	B=	C=	D=	E=	F=	G=	H=	I=	J=	K=



IF DIM ( A ) IS LESS  
THAN 63 mm ( 2 1/2" )  
NO CRIMP

**HL-201-UOP**  
-A, -B, -C