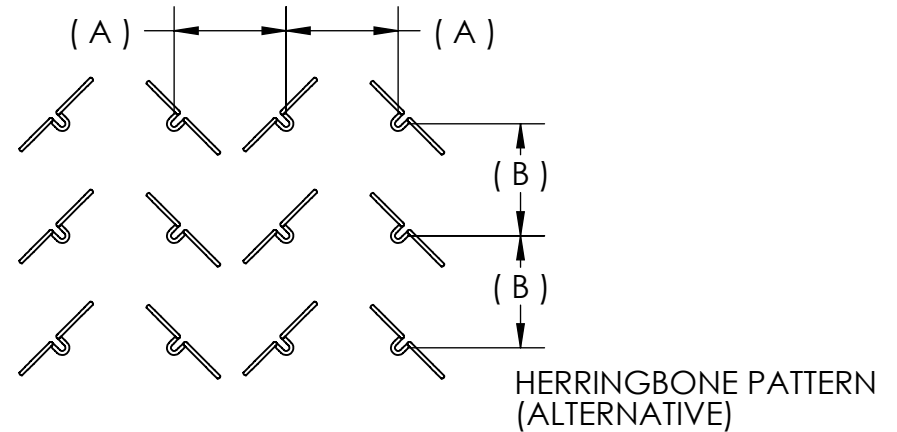
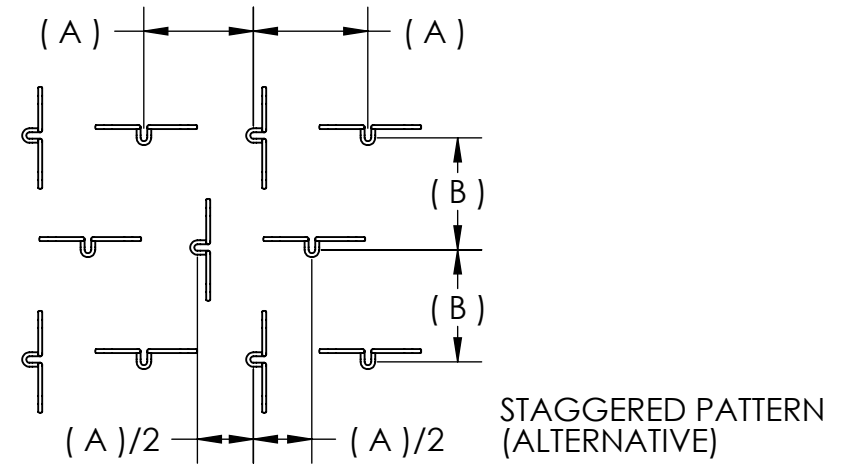
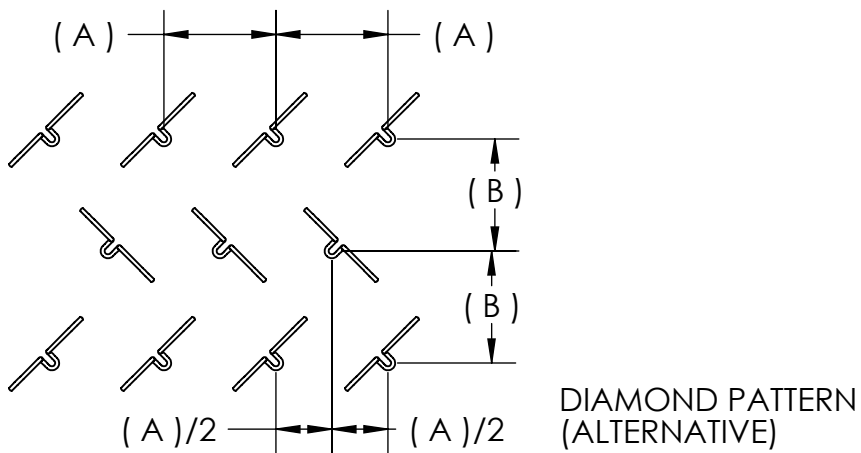
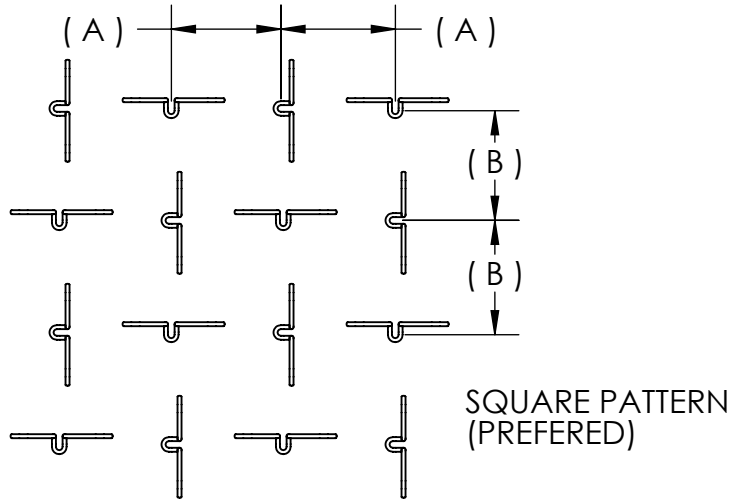


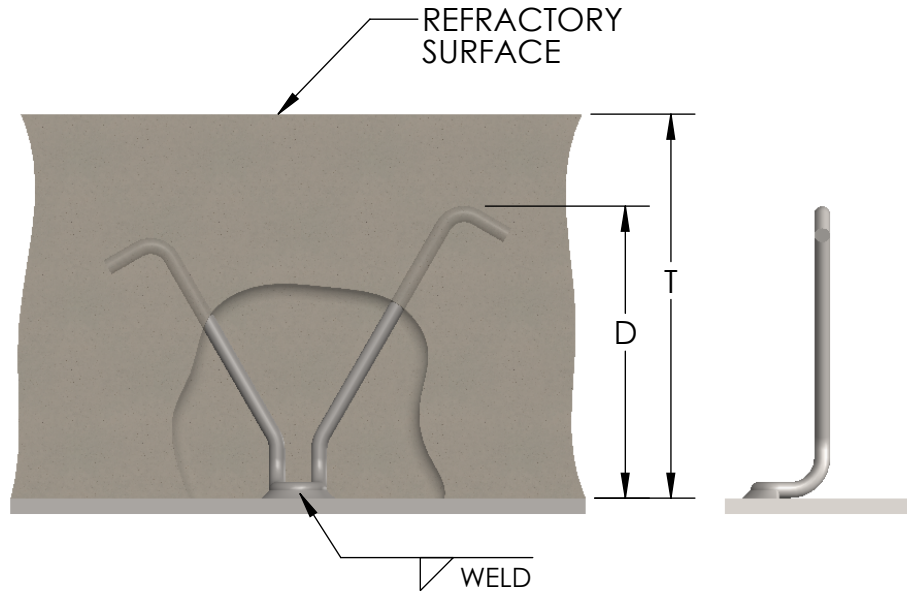


ANCHOR DIMENSION TABLE

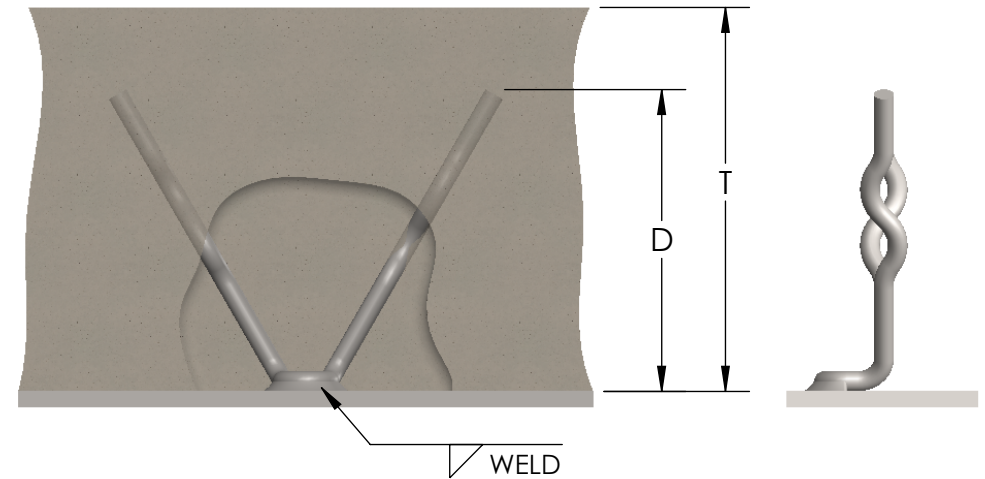
A=	B=	C=	D=	E=	F=	G=	H=	I=	J=	K=



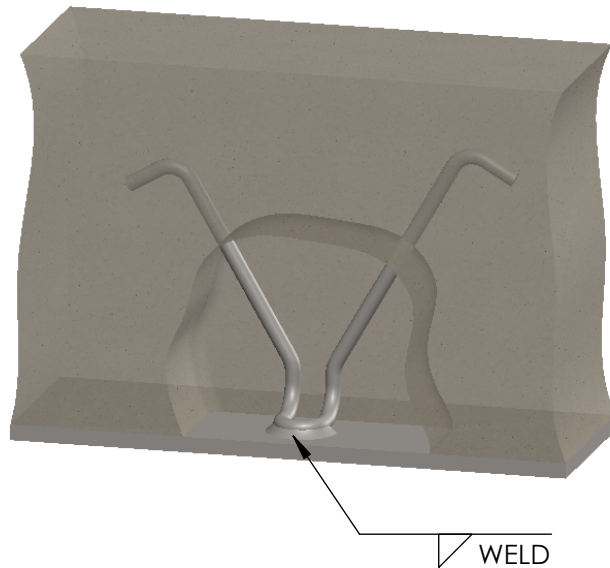
FOOTED ANCHOR WELD
AND SPACING DETAIL



DOUBLE HOOK, FOOTED
VEE ANCHOR WELD DETAIL



WAVEY VEE, FOOTED
ANCHOR WELD DETAIL



FOOTED ANCHOR WELD
AND SPACING DETAIL